

The SM1-P is a high quality, Universally powered, flush mount, omni-directional, pre-amplified microphone with enhanced features for use with DRVs, IP cameras, etc. Note- the audio output of the SM1-P is switch selectable “line level” (0db) or “microphone level” (-30db).

SM1 Microphone Placement

Do not mount the microphone near air conditioning vents, light fixtures or electrical equipment. The SM1-P should be placed as close as possible to the subject(s) to be monitored. The SM1-P is useable at distances of up to 25 feet but is dependent on the level of background noise in the area. Experimentation in the environment will determine what distances work best.

Cable Run

Run a 22 gauge, stranded, two conductor shielded cable between the SM1-P microphone and the monitoring device. Keep the cable run distance under 1,000 feet and away from AC power sources, light fixtures and electrical equipment. If you are connecting the SM1-P to an ETS product, connect power to right-most power terminal of the SM1-P and ground to the ground terminal. The Ground of the power and audio signal must share a common ground for proper operation. See *Figure 1 for connection diagram*.

External Power Source

The SM1-P can be independently powered from any voltage source in the ranges of: 9-42VAC and 12-60VDC. For DC inputs, the SM1-P is not polarity sensitive. See *Figure 2 for connection diagram*.

Mounting

The SM1-P can be surface or flush mounted on ceilings or walls. For flush mounting, cut a 2 ¼” by 2 ¾” hole in the wall or ceiling tile to allow room for the circuit board and mount the SM1-P to the surface with screws. A single gang electrical box can be used for surface mounting or consider using an SM1-PLE in place of the SM1-P.

Adjusting the Lo-Cut and Hi-cut filters

The SM1-PE's high and low frequency response can be trimmed to reduce background noise. If you are primarily interested in capturing conversations and want to reduce air conditioning and other noises, rotate both controls (hi-cut and lo-cut) to just short of full clockwise. Experimentation with the settings may be required to achieve the best results for a given environment.

Adjusting the Automatic Gain Control

The SM1-P features automatic control of gain. This is useful for environments where it is anticipated that sound levels will range from quiet to loud. The best way to set this control is to adjust it to a comfortable volume level (on an ETS base station or PC monitor speakers) when the loudest sounds are present and constant. Turning the control + CW will increase the amount of gain reduction during loud sound intervals. If the sound is reduced too much during loud sounds, turn the control - CCW a small amount and continue experimenting until a comfortable medium is found.

Adjusting the SM1-P Volume

The SM1-P output level is set by selecting the desired volume range and adjusting the gain control. The “Volume Range” switch should be set to the “LO” position when using the SM1-P with IP cameras that utilize “microphone inputs” also known as “Mic. Level” inputs. The switch should be placed in the “HI” position when using IP cameras with “Line level” inputs of DVRs and IP cameras. The SM1-P is shipped with the Volume set at midrange. If the sound at the “head end” is too loud and / or distorted, rotate the control - CCW. If the volume at the “head end” is too low, rotate the control +CW.

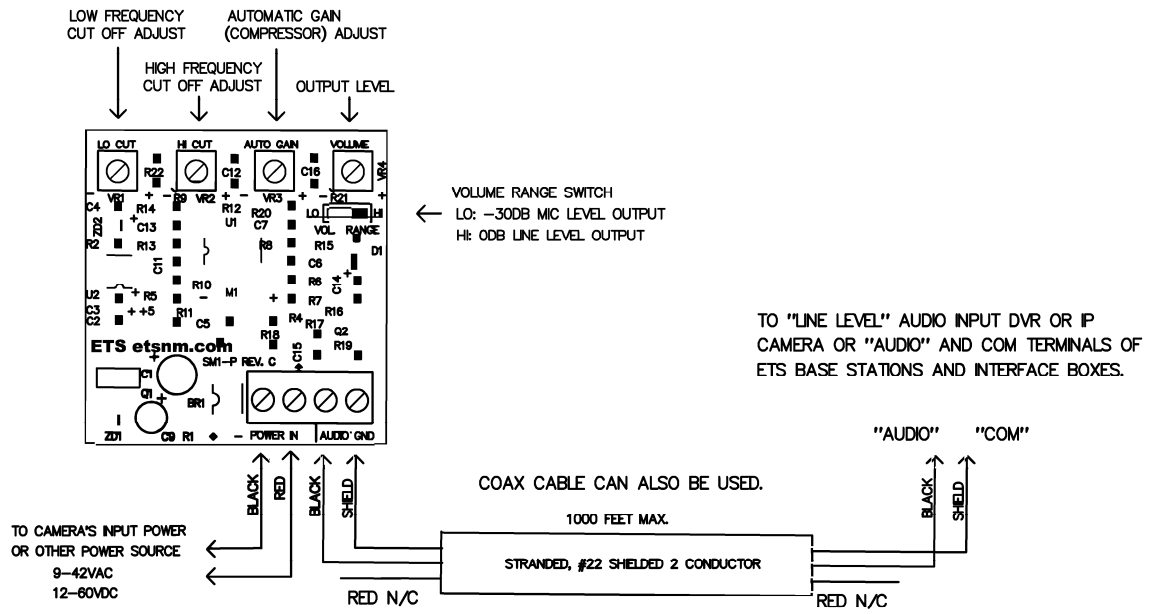


Figure 1.

Caution

It may be against the law to install this microphone kit in certain environments. It may also be against the law to record conversations of the person(s) being monitored without their knowledge. It is the responsibility of the installation company and end-user to determine if the application of this product is legal. These laws vary from state to state. If you are not informed on these matters, consult a qualified attorney or contact the appropriate state agency. A sticker is provided with this kit for the applications where notification must be posted

Warranty

All ETS products carry a one year parts and labor warranty. This warranty does not cover damages as a result of misuse, improper handling of the unit or exposure to extreme temperatures or moisture. At its discretion, ETS reserves the right to repair or replace this unit under the conditions of the warranty. If you experience problems with your equipment call ETS at: 505-888-3923 to obtain a return authorization number. Equipment requiring repair beyond the warranty period or units that have been damaged or are not covered under the warranty can be repaired by ETS for a minimal cost under most conditions.

Made in the USA
 by
ETS Inc.