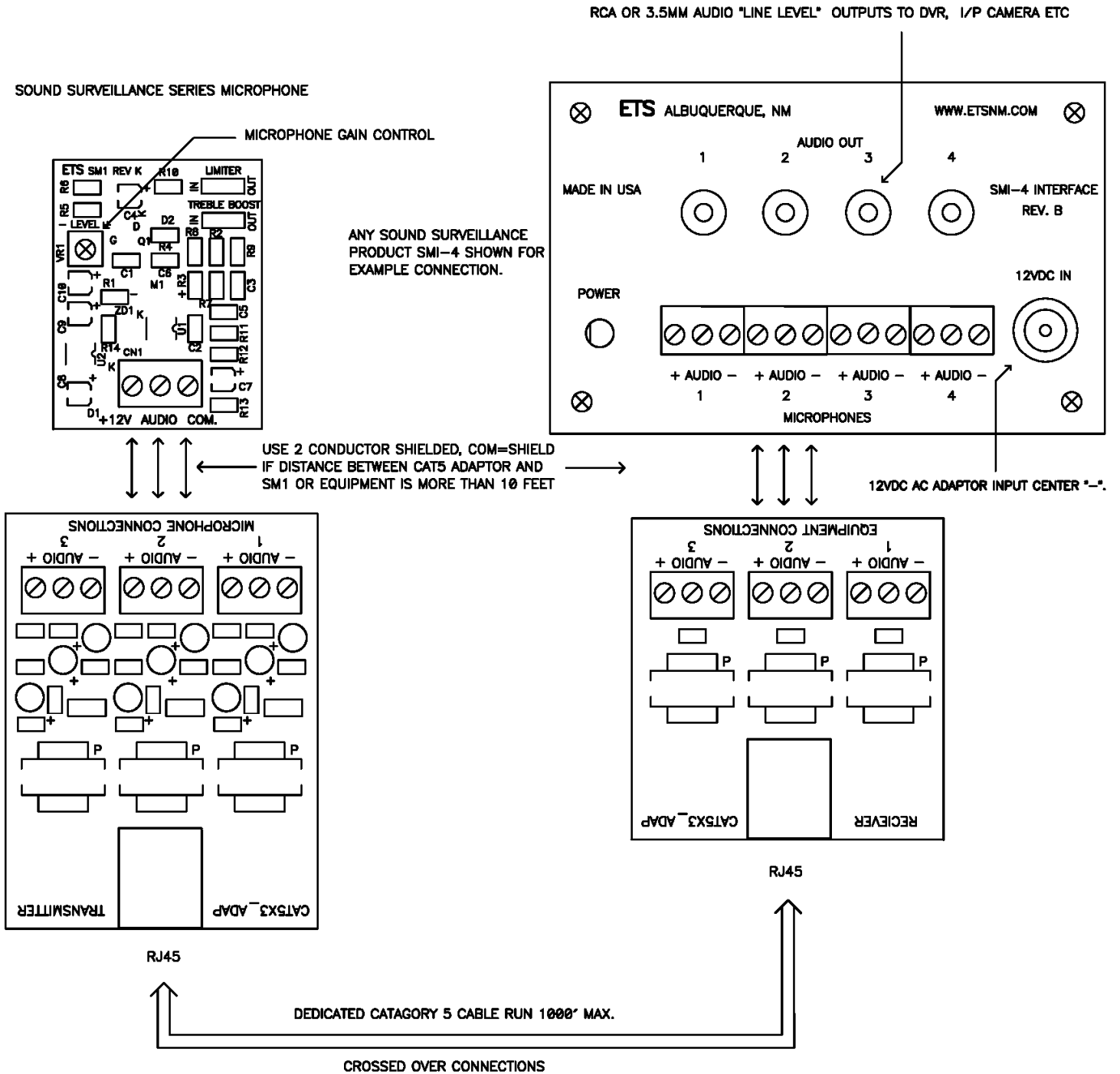


The CAT5-AD3 is used to make all Sound surveillance products compatible with dedicated CAT5 cable runs.

Connections

Connect - to -, + to +, and Audio to Audio from the Sound Surveillance product of interest to the CAT5-AD3. If the distance between the CAT5-AD3 is more than 10 feet away from the microphone, interface box, etc. 2 conductor shielded is recommended for these connections. If this distance is shorter, single conductors or an unshielded 3 or 4 conductor can be used. Limit your CAT5 cable run to 1000 feet max, for microphone runs.



Warranty

All ETS products carry a one year parts and labor warranty. This warranty does not cover damages as a result of misuse, improper handling of the unit or exposure to extreme temperatures or moisture. At its discretion, ETS reserves the right to repair or replace this unit under the conditions of the warranty. If you experience problems with your equipment call ETS at: 505-888-3923 to obtain a return authorization number. Equipment requiring repair beyond the warranty period or units that have been damaged or are not covered under the warranty can be repaired by ETS for a minimal cost under most conditions.

Made in the USA
by
ETS Inc.