



Electronic Technical Services Inc.
 211 Conchas SE
 Albuquerque, NM 87123
 PH 505-888-3923 FAX 505-888-3926
 Website: www.etsnm.com

Sound Surveillance™

ETW-625 Weather proof, Omni-directional Dynamic Microphone

Description

The ETW-625 is a un-pre-amplified flush mount, low impedance, dynamic, omni-directional, weather proof (IP55), vandal resistant, microphone for indoor / outdoor applications.

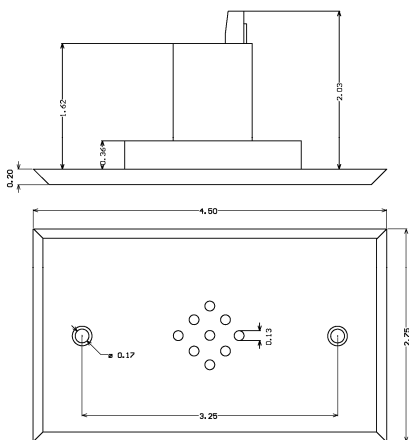


Includes:

- ETW-625 Microphone.
- Sealing gasket
- Vandal resistant screws
- Warning label.
- Installation instructions.

Wiring requirements:

2 conductor shielded (with drain wire) 22 gauge stranded. Max cable length 500'



ETW-625 Specifications

- Dynamic (moving coil) cartridge
- Omni-directional pickup pattern
- 100-10khz frequency response
- -60db sensitivity
- 200 Ohm impedance
- Temperature range -25 to 85C
- Dimensions L4.50 x W2.75 x H2.03
- Weight .2lbs

Options:

Terminal block or flying leads output
 Add -TB or -FL to Part number

Normally open call switch
 Add -CS to part number

Caution

It is the responsibility of the installation company and end user to install this audio surveillance equipment in compliance with state and federal privacy laws. If you are unfamiliar with these laws, consult a qualified attorney.

Warranty 1 year parts and labor. Made in USA