

# ETS Inc. MKS-RRSG Microphone Mute Switch

The MKS-RRSG is a flush mount, stainless steel, mute switch with an LED status indicator for use with ETS SM1 series microphones. The MKS-RRSG is typically used in interview or interrogation rooms when it is required that the microphone be turned off on occasion.

## Cable Run

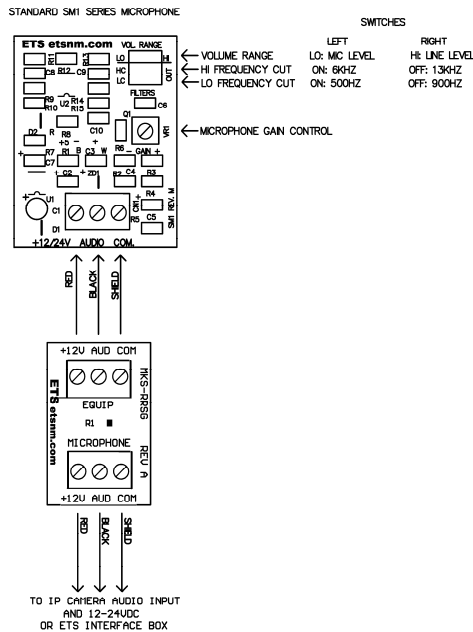
Run a 22 gauge, stranded, two conductor shielded cable between the MKS-RRSG and the microphone and the MKS-RRSG and the monitoring equipment. The MKS-RRSG can be located anywhere along the cable run between the microphone and interface equipment. Keep total cable run length at 1000 feet or less and away from power sources, light fixtures and electrical equipment. Connect (red) power to the + terminal, the audio signal (black) to the "audio" terminal and ground (shield) to the - terminal.

## Mounting

The MKS-RRSG can be surface or flush mounted on walls, cabinets or furniture. For flush mounting, cut a 2 1/4" by 2 3/4" hole in the mounting surface to allow room for the circuit board and mount the MKS-RRSG to the surface with screws. A single gang electrical box can also be used for surface mounting.

## Mute Switch and LED indicator

When The microphone is enabled, the LED on the MKS-RRSG will be lit. The LED will be out when the microphone is enabled.



### **Caution**

It may be against the law to install this microphone kit in certain environments. It may also be against the law to record conversations of the person(s) being monitored without their knowledge. It is the responsibility of the installation company and end-user to determine if the application of this product is legal. These laws vary from state to state. If you are not informed on these matters, consult a qualified attorney or contact the appropriate state agency. A sticker is provided with this kit for the applications where notification must be posted.

### **Warranty**

All ETS products carry a one year parts and labor warranty. This warranty does not cover damages as a result of misuse, improper handling of the unit or exposure to extreme temperatures or moisture. At its discretion, ETS reserves the right to repair or replace this unit under the conditions of the warranty. If you experience problems with your equipment call ETS at: 505-888-3923 to obtain a return authorization number. Equipment requiring repair beyond the warranty period or units that have been damaged or are not covered under the warranty can be repaired by ETS for a minimal cost under most conditions.

**Made in the USA**

by

**ETS Inc.**