

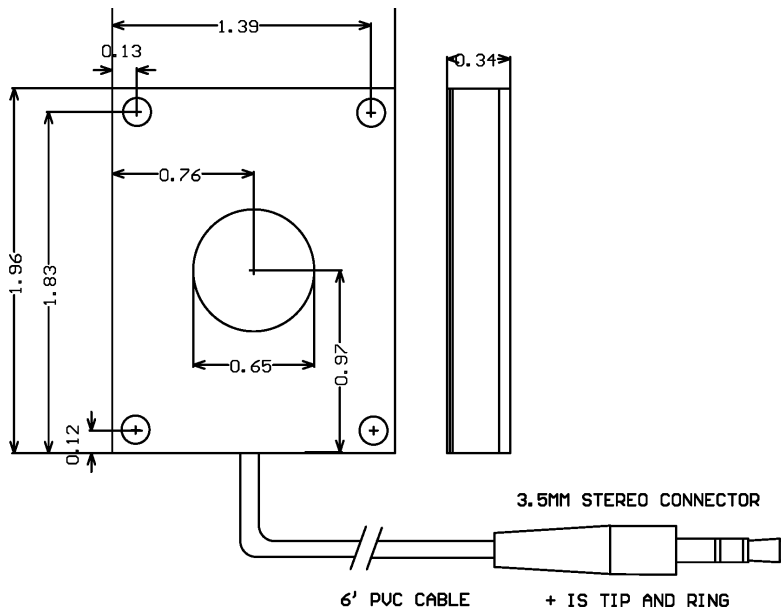
## ML1-BM Weather Resistant, IP54 Back Mount Microphone

### Description

The ML1-BM is a low cost omni-directional electret IP54 rated microphone for use with IP cameras accepting **microphone level input** signals (PC compatible input). The ML1-BM is best suited for OEM applications where a low profile appearance is desired. It's designed to be mounted on the inside of metal panels with only a 1/4-1/2" hole visible from the other side. The attached cord is 6' long and comes standard with a stereo 3.5mm connector on one end. Add -FL to the P/N for a flying lead output for connections to cameras with terminal blocks.



For use with IP cameras accepting microphone level inputs (the camera supplies power to ECM cartridge)



### ML1-BM Specifications

- Omni-directional pattern
- Max SPL 120db
- Frequency response: 50-16khz
- Sensitivity -43db
- -40db output (mic level)
- 2-10Vdc operation
- 2-5k Ohm load resistance
- S/N 60db
- 6' standard cable length
- Conformal coated PCB
- 3.5mm stereo connector
- Stainless mesh and water resistant cloth
- Sticky back or hard mounting via 1/4" standoffs
- Operating temperature -40 to 85C
- Weight: 0.025 kg

### Includes

- ML1-BM microphone.
- Warning label.
- Mounting Screws

### Options

- Cable lengths of up to 25' are available. Add -XX to P/N where XX = number of feet
- Add -BK to P/N for black plastic plate
- Add -FL to P/N for flying lead output
- Add -LN to P/N for higher performance capsule

### Caution

It is the responsibility of the installation company and end user to install this audio surveillance equipment in compliance with state and federal privacy laws. If you are unfamiliar with these laws, consult a qualified attorney.