



Electronic Technical Services Inc.
211 Conchas SE
Albuquerque, NM 87123
PH 505-888-3923 FAX 505-888-3926
Website: www.etsnm.com

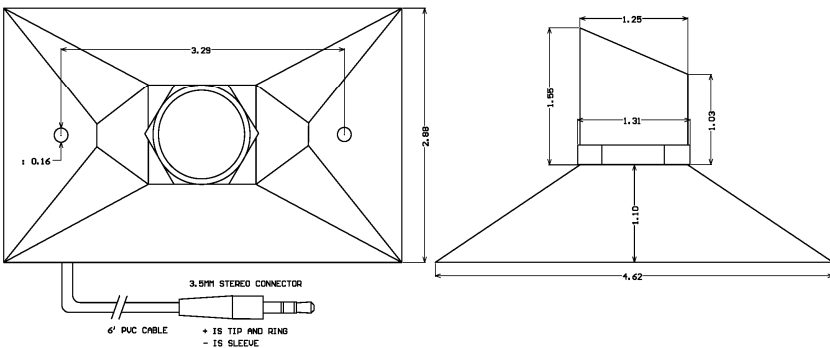
Sound Surveillance™

ML1-WPW Weather proof, surface mount microphone

Description

The ML1-WPW is an IP57 rated, omni-directional electret microphone for use with IP cameras accepting microphone level input signals (PC compatible input). The attached cord is 6' long and comes standard with a stereo 3.5mm connector on one end. Add -FL to the P/N for a flying lead output for connections to cameras with terminal blocks.

Note-camera must accept electret type microphone inputs (camera supplies power to ECM cartridge)



ML1-WPW Specifications

- Omni-directional pattern
- Max SPL 120db
- Frequency response: 50-16khz
- Sensitivity -47db
- -40dbm output (mic level)
- 1.5-10Vdc operation
- 5k-10k Ohm load resistance
- S/N 60db
- 3.5mm stereo connector
- 6' standard cable length
- 1/2" thick removable windscreen.
- Aluminum and plastic housing
- IP57 rated
- Operating temperature -30 to 70C
- Weight: 0.10 lbs

Caution

It is the responsibility of the installation company and end user to install this audio surveillance equipment in compliance with state and federal privacy laws. If you are unfamiliar with these laws, consult a qualified attorney.

Warranty 1 year parts and labor, Made in USA

Includes

- ML1-WPW microphone.
- Gasket
- Mounting screws
- Warning label.

Options

- Custom cable lengths up to 25' available. Add -XX to P/N where XX = Number of feet
- Add -FL to P/N for flying lead output