



Electronic Technical Services Inc.
 211 Conchas SE
 Albuquerque, NM 87123
 PH 505-888-3923 FAX 505-888-3926
 Website: www.etsnm.com

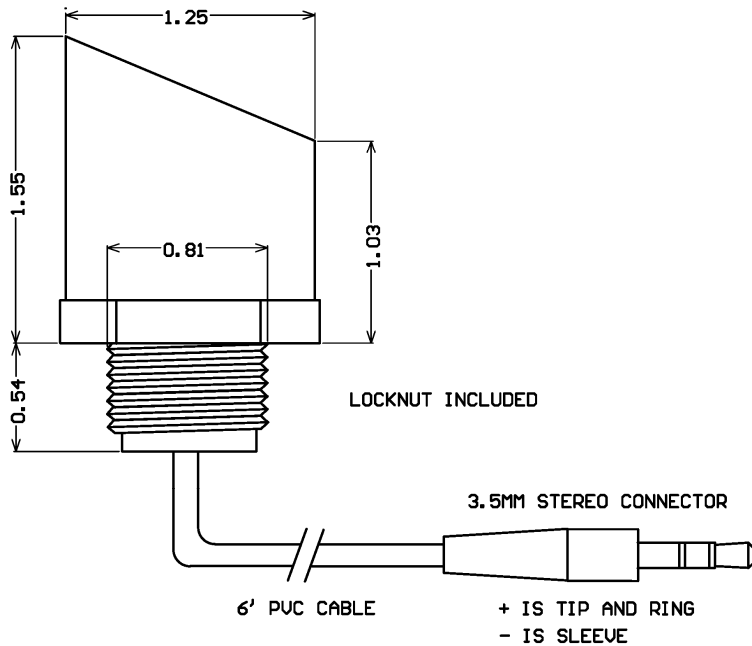
Sound Surveillance™

ML1-WS Weather resistant, cabinet mount, un-pre-amplified microphone

Description

The ML1-WS is a low cost, IP54 rated, omni-directional electret microphone for use with IP cameras accepting microphone level input signals (PC compatible input). The ML1-WS mounts in a standard 1/2" electrical knock out hole. The attached cord is 6' long and comes standard with a stereo 3.5mm connector on one end. Add -FL to the P/N for a flying lead output for connections to cameras with terminal blocks.

Note-camera must accept electret type microphone inputs. (camera supplies power to ECM cartridge)



ML1-WS Specifications

- Omni-directional pattern
- Max SPL 120db
- Frequency response: 50-16khz
- Sensitivity -43db
- -40db output (mic level)
- 2-10Vdc operation
- 2k-5k Ohm load resistance
- S/N 60db
- 3.5mm stereo connector
- 6' standard cable length
- 1/2" thick removable windscreen.
- Grey ABS plastic housing
- Mounts in a standard 1/2" electrical knock out hole
- IP54 rated
- Operating temperature -30 to 70C
- Weight: 0.025 lbs

Includes

- ML1-WS microphone.
- Warning label.
- Mounting locknut.

Options

- Cable lengths of up to 25' are available. Add -XX to P/N where XX = number of feet
- Add -BK to P/N for black plastic housing
- Add -IV to P/N for ivory plastic housing
- Add -FL to P/N for flying lead output
- Add -LN to P/N for higher performance capsule

Caution

It is the responsibility of the installation company and end user to install this audio surveillance equipment in compliance with state and federal privacy laws. If you are unfamiliar with these laws, consult a qualified attorney.

Warranty 1 year parts and labor,

Made in USA