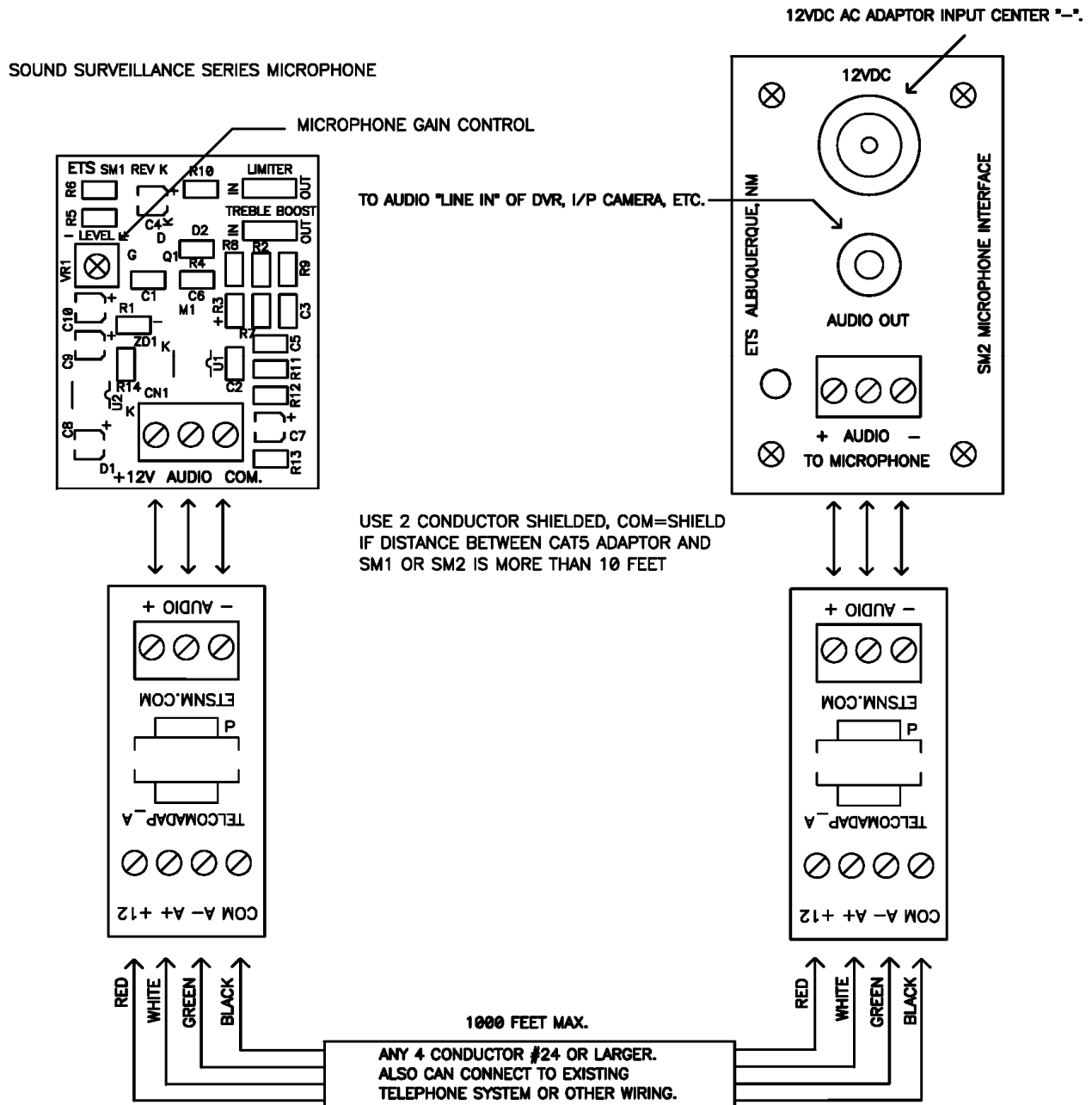


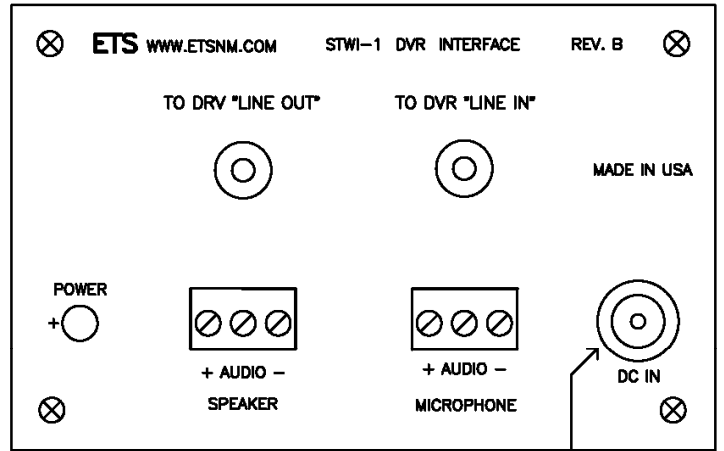
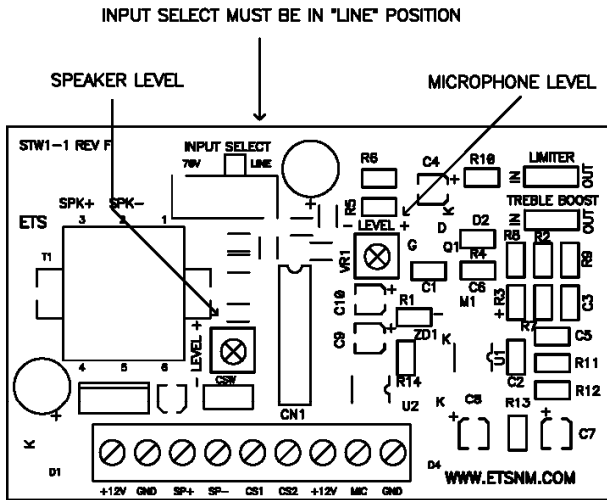
The TELCO-AD1 is used to make all Sound surveillance products compatible with 4 conductor unshielded cable runs and for use with spare conductors in telephone systems (punch down blocks).

Connections

Connect - to -, + to +, and Audio to Audio (sp+ to Audio in two way apps) from the Sound Surveillance product of interest to the TELCO-AD1. If the distance between the TELCO -AD1 is more than 10 feet away from the microphone, interface box, etc. 2 conductor shielded is recommended for these connections. If this distance is shorter, single conductors or an unshielded 3 or 4 conductor can be used. Limit your TELCO cable run to 1000 feet max, for microphone runs and 500 feet for powered speaker runs (two way applications). Use 4 conductor #24 minimum for the main cable run. Connect + to +, - to -, A+ to A+ and A- to A-.

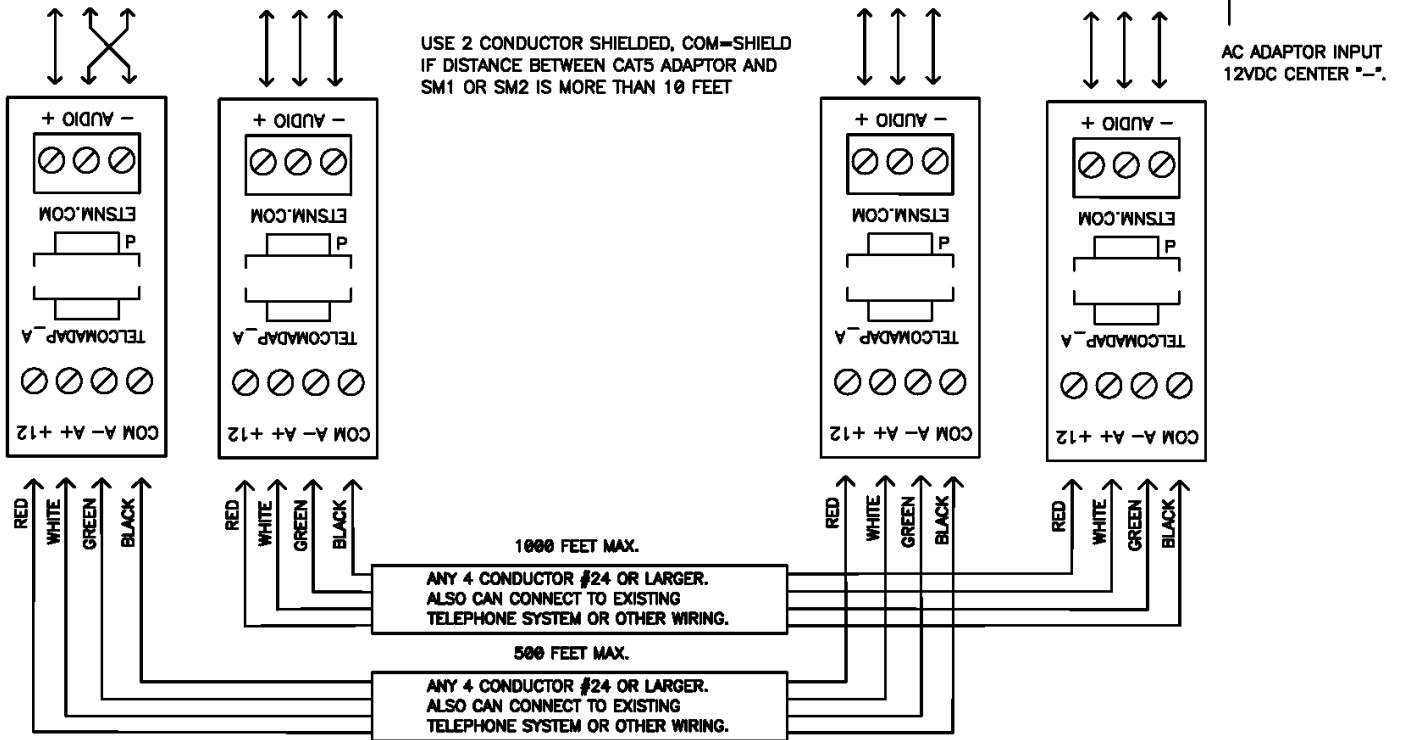


Typical one-way application.



USE 2 CONDUCTOR SHIELDED, COM=SHIELD IF DISTANCE BETWEEN CAT5 ADAPTOR AND SM1 OR SM2 IS MORE THAN 10 FEET

AC ADAPTOR INPUT 12VDC CENTER "+-".



Typical two-way application.

Warranty

All ETS products carry a one year parts and labor warranty. This warranty does not cover damages as a result of misuse, improper handling of the unit or exposure to extreme temperatures or moisture. At its discretion, ETS reserves the right to repair or replace this unit under the conditions of the warranty. If you experience problems with your equipment call ETS at: 505-888-3923 to obtain a return authorization number. Equipment requiring repair beyond the warranty period or units that have been damaged or are not covered under the warranty can be repaired by ETS for a minimal cost under most conditions.

Made in the USA
by
ETS Inc.