

ETS Inc. STW2 Two Way Monitoring Station Instructions

The STW2 is a single zone 2-way Audio Surveillance monitoring station for use with all ETS STW1 series microphone / speakers. It can be used independently for monitoring live audio or with DVRs and audio recorders for recording and playback.

STW1 Mounting

Locate the STW1 Microphone/Speaker near the area of interest. Do not mount the STW1 near air conditioning vents, light fixtures or electrical equipment. Try to keep the distance between the STW1 and the STW2 under 500 feet.

Cable Run

For the Microphone, run a 22 gauge, 2 conductor shielded cable (500 feet maximum length) between the STW1 and the STW2 base station. Keep the cable away from AC power sources, light fixtures and electrical equipment.

For the Speaker, run a 22 gauge, 2 conductor shielded cable (500 feet maximum length) between the STW1 and the STW2. For the optional Call Switch, a 22 gauge, 2 conductor cable can be used. This is a contact closure type of connection so it doesn't matter which side goes where. Do not use a single multiconductor cable for the cables or crosstalk may occur.

Setting the STW1 Microphone Gain

The STW1 output level is set by selecting the desired volume range and adjusting the gain control.

The "Volume Range" jumper should be set to the "LO" position when using the STW1 with IP cameras that utilize "microphone inputs" also know as "Mic. Level" inputs. This sets the maximum gain of the STW1's pre-amp to x14. The jumper should be placed in the "HI" position when using IP cameras with "Line level" inputs of DVRs and IP cameras. This sets the maximum gain of the STW1's pre-amp to x196.

The STW1 is shipped with the gain set at midrange. If the sound at the "head end" is distorted, rotate the control towards the - mark (counter-clockwise). If the volume at the "head end" is too low, rotate the control towards the + mark (clockwise).

Setting the STW1 Microphone Hi-Cut/Lo-Cut Jumpers

The normal frequency response of the STW1 microphone is 500-13Khz. When both jumpered "in", The "HI Cut" and "Lo Cut" filters set the STW1's frequency response to 900-6Khz. Enabling one or both of the filters is useful when background noise needs to be further reduced and intelligibility of speech emphasized. We recommend experimenting with the jumper settings to achieve the best acoustic result for your application.

STW2 Base Station Controls

After connections have been made, apply power to the unit and the system is ready to use. You should hear STW1 audio on the STW2 base station Speaker. Adjust the "Volume" knob to a comfortable level.

Sending a message to the STW1

Press and hold the "Push To Talk" button on the base station, and a green light will come on, indicating that audio is being sent to the STW1. Speak in the direction of the Microphone, then release the button after you have finished your message. The green light will go out. If necessary, you can adjust the Speaker volume by turning the "Remote Volume" knob clockwise for louder sound and counter clockwise for softer sound.

Recorder Switch

If the STW3 kit will be used with a recorder of some type, place the recorder switch in the "IN" position. In this position, both live audio and playback audio can be heard through the STW2's internal speaker. Connect the "Audio Out" jack to the recording device's "Audio In", using the supplied RCA cables. Connect the "Audio In" jack to the recording device's "Audio Out." In stand alone applications where there is no recorder or no need to playback recordings, place the recorder switch in the "OUT" position. Note-both sides of conversations will be recorded

Headphones

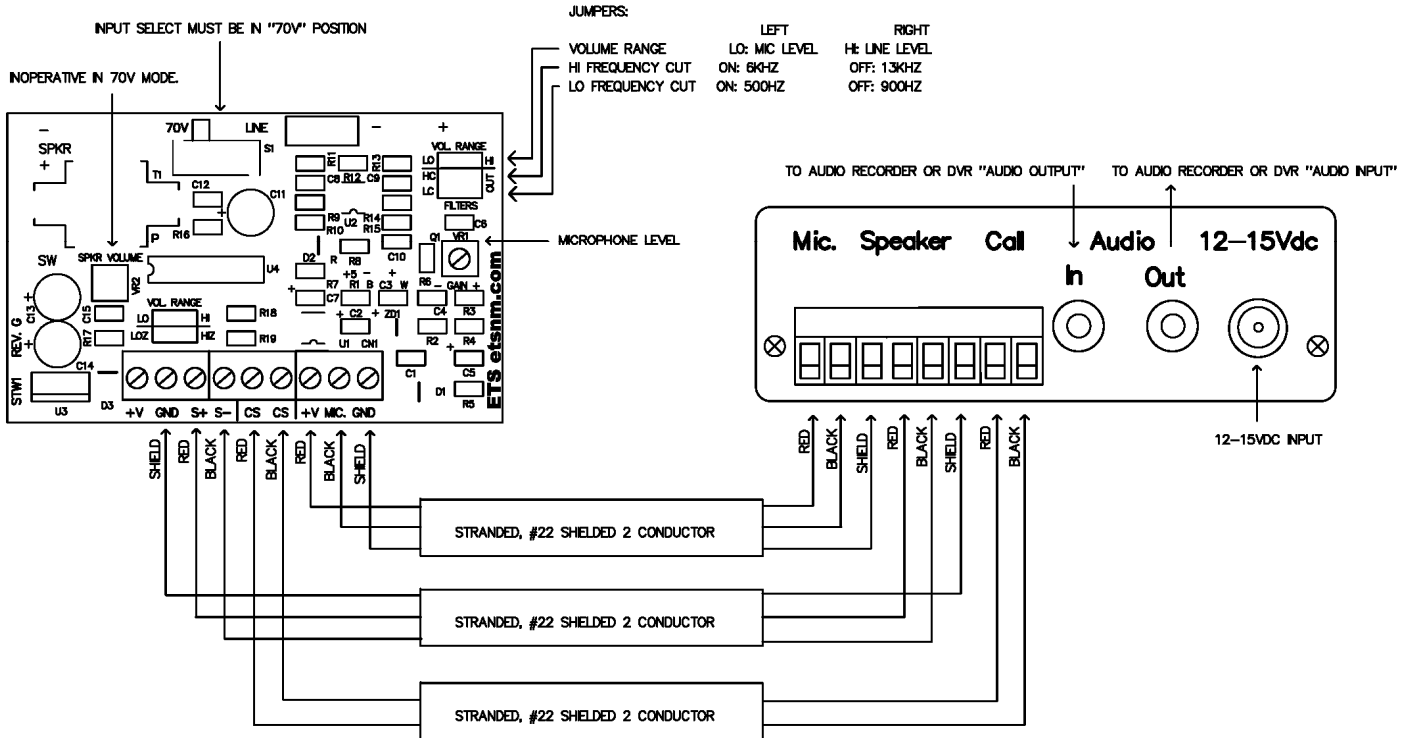
Plug headphones into the "Headphone" jack on the front panel of the STW2. Audio will be cut out on the STW2 Speaker.

Optional Call Switch

If you have the "Call Switch" option, simply press the button on the STW1 to start a 1 second tone to the STW2.

Remote Volume

Use this control on the front of the STW2 to adjust the speaker volume on the STW1.



Caution

It may be against the law to install this microphone kit in certain environments. It may also be against the law to record conversations of the person(s) being monitored without their knowledge. It is the responsibility of the installation company and end-user to determine if the application of this product is legal. These laws vary from state to state. If you are not informed on these matters, consult a qualified attorney or contact the appropriate state agency. A sticker is provided with this kit for the applications where notification must be posted.

Warranty

All ETS products carry a one year parts and labor warranty. This warranty does not cover damages as a result of misuse, improper handling of the unit or exposure to extreme temperatures or moisture. At its discretion, ETS reserves the right to repair or replace this unit under the conditions of the warranty. If you experience problems with your equipment call ETS at: 505-888-3923 to obtain a return authorization number. Equipment requiring repair beyond the warranty period or units that have been damaged or are not covered under the warranty can be repaired by ETS for a minimal cost under most conditions.

Made in the USA
by
ETS Inc.