

ETS Inc. PR3 Triple reader interface Instructions

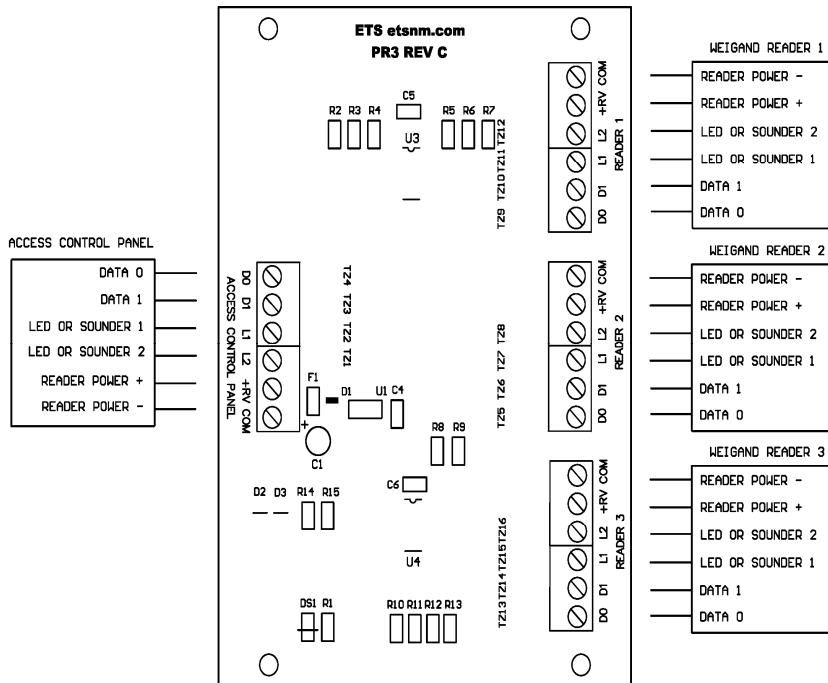
The PR3 is a 3 Weigand reader to single port output board. It permits the use of 3 Wiegand card readers to be connected to a single reader port on an access control panel. Note- the PR3 does not store or process any card read data. Only one reader can be sending card reader data at a time or a misread will occur.

Power input / output

The PR3 accepts 12vdc in and consumes 20ma of power. It has power outputs that can be used to power up the 3 readers.

Connections

- D0 Data 0 Weigand signal
- D1 Data 1 Weigand signal
- L1 LED 1 signal
- L2 LED 2 signal
- +RV Reader voltage (12v typical)
- Com Common (ground)



Cabling

For Wiegand readers, run 3 each #22 6 conductor shielded cables from the PR3 to each reader. The shield can be used as a common. Run another each #22 6 conductor shielded cable to the access control panel reader port.

Warranty

All ETS products carry a one year parts and labor warranty. This warranty does not cover damages as a result of misuse, improper handling of the unit or exposure to extreme temperatures or moisture. At its discretion, ETS reserves the right to repair or replace this unit under the conditions of the warranty. If you experience problems with your equipment call ETS at: 505-888-3923 to obtain a return authorization number. Equipment requiring repair beyond the warranty period or units that have been damaged or are not covered under the warranty can be repaired by ETS for a minimal cost under most conditions.

Made in the USA
by
ETS Inc.