

The SM5 is a single channel, one way pre-amplified microphone “listen in” surveillance kit designed to be used in applications where an audio amplifier (speaker) is not needed or is already provided in a CCTV monitor or DVR. It provides a convenient way of supplying power to the SM1, installer friendly termination of the cable runs and a standard RCA or 3.5mm audio output connector. The SM5 easily connects to recording equipment such as DVRs, IP cameras and audio recorders. Note- the audio output of the SM1 is “line level” or “microphone level” switch selectable.

SM1 Microphone Placement

Locate the SM1 microphone as close as possible to the area of interest in the space to be monitored. If a large area is to be monitored, locate the SM1 in the middle of the room. Do not mount the microphone near air conditioning vents, light fixtures or electrical equipment. The SM1 should be placed as close as possible to the subject(s) to be monitored. The SM1 is still usable at distances of up to 25 feet but is dependent on the level of background noise in the area. Experimentation in the environment will determine what distances work best.

SM2 location and power

The SM2 interface box is designed to be located next to a DVR or IP camera. The SM2 requires a 120VAC power source within 3 feet of its location. If this is not possible in your application, you can splice in up to 100 feet of 18 awg, 2 conductor cable to extend the distance between the AC power source and the SM2.

Cable Run

Run a 22 gauge, stranded, two conductor shielded cable between the SM2 interface and the SM1 microphone. Keep the cable run distance under 1,000 feet and away from AC power sources, light fixtures and electrical equipment. *See Figure 1 for connection diagram.*

Mounting

The SM1 can be surface or flush mounted on ceilings or walls. For flush mounting, cut a 2 ¼” by 2 ¾” hole in the wall or ceiling tile to allow room for the circuit board and mount the SM1 to the surface with screws. For surface mounting, purchase the SM1S surface mount adapter or use a single gang electrical box.

Adjusting the SM1 Gain

Start with a midrange setting of the gain control on the SM1. Adjust the control + or – for maximum clarity. If the sound at the amplifier is distorted, rotate the control towards the – mark (counter- clockwise). If the volume at the amplifier is too low, rotate the control towards the + mark (clockwise). Set “Vol range” jumper per instructions below.

The “Volume Range” jumper should be set to the “LO” position when using the SM1 with IP cameras that utilize “microphone inputs” also known as “Mic. Level” inputs. This sets the maximum gain of the SM1’s pre-amp to x14. The jumper should be placed in the “HI” position when using “Line level” inputs of DVRs and IP cameras. This sets the maximum gain of the SM1’s pre-amp to x196.

The SM1 is shipped with the gain set at midrange. If the sound at the “head end” is distorted, rotate the control towards the – mark (counter-clockwise). If the volume at the “head end” is too low, rotate the control towards the + mark (clockwise).

Setting the SM1 Hi-Cut/Lo-Cut Switches

The normal frequency response of the SM1 microphone is 350-12Khz. When both switched “in”, The “HI Cut” and “Lo Cut” filters set the SM1’s frequency response to 700-7Khz . Enabling one or both of the filters is useful when background noise needs to be further reduced and intelligibility of speech emphasized. We recommend experimenting with the switchsettings to achieve the best acoustic result for your application.

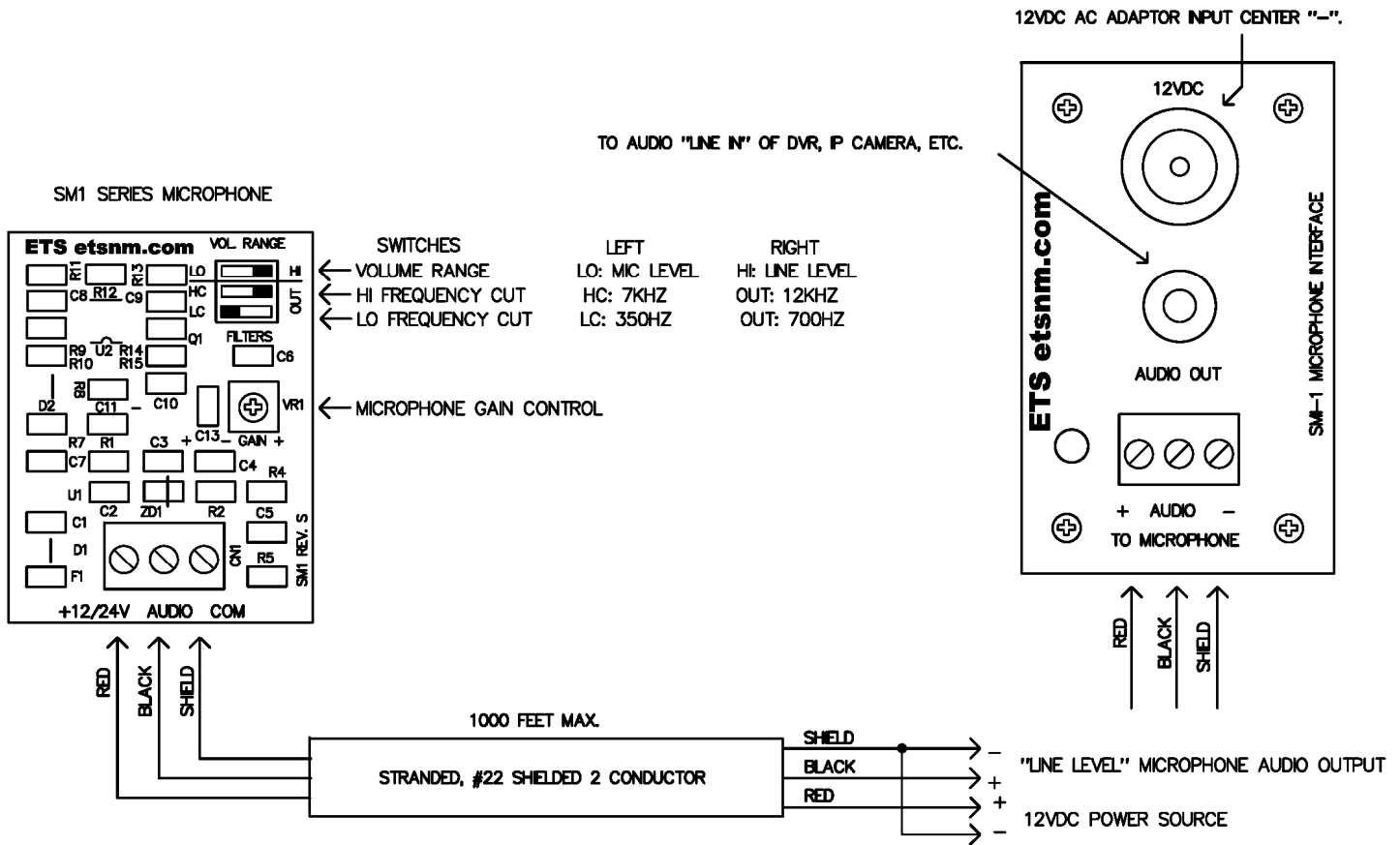


Figure 1.

Caution

It may be against the law to install this microphone kit in certain environments. It may also be against the law to record conversations of the person(s) being monitored without their knowledge. It is the responsibility of the installation company and end-user to determine if the application of this product is legal. These laws vary from state to state. If you are not informed on these matters, consult a qualified attorney or contact the appropriate state agency. A sticker is provided with this kit for the applications where notification must be posted.

Warranty

All ETS products carry a one year parts and labor warranty. This warranty does not cover damages as a result of misuse, improper handling of the unit or exposure to extreme temperatures or moisture. At its discretion, ETS reserves the right to repair or replace this unit under the conditions of the warranty. If you experience problems with your equipment call ETS at: 505-888-3923 to obtain a return authorization number. Equipment requiring repair beyond the warranty period or units that have been damaged or are not covered under the warranty can be repaired by ETS for a minimal cost under most conditions.

Made in the USA
by
ETS Inc.