



Electronic Technical Services Inc.
211 Conchas SE
Albuquerque, NM 87123
PH 505-888-3923 FAX 505-888-3926
Website: www.etsnm.com

Sound Surveillance™

ML1-LE3 Surface Mount Omni-directional Microphone

Description

The ML1-LE3 is a low cost omni-directional electret microphone for use with IP cameras accepting **microphone level input** signals (PC compatible input). The attached cord is 6' long and comes standard with a stereo 3.5mm connector on one end. Add -FL to the P/N for a flying lead output for connections to cameras with terminal blocks.

For use with IP cameras accepting microphone level inputs (the camera supplies power to ECM cartridge)



ML1-LE3 Specifications

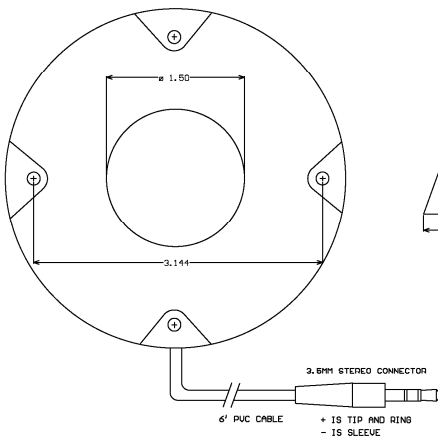
- Omni-directional pattern
- Max SPL 120db
- Frequency response: 50-16khz
- Sensitivity -43db
- -40db output (mic level)
- 2-10Vdc operation
- 2-5k Ohm load resistance
- S/N 60db
- 6' standard cable length cable
- 3.5mm stereo connector
- Single piece white plastic housing
- Dimensions D3.7 x H1.75
- Operating temperature -30 to 70C
- Weight: 0.025 lbs

Includes

- ML1-LE3 microphone.
- Warning label.

Options

- Cable lengths of up to 25' are available. Add -XX to P/N where XX = number of feet
- Add -FL to P/N for flying lead output
- Add -LN to P/N for higher performance capsule



Caution

It is the responsibility of the installation company and end user to install this audio surveillance equipment in compliance with state and federal privacy laws. If you are unfamiliar with these laws, consult a qualified attorney.

Warranty 1 year parts and labor,

Made in USA